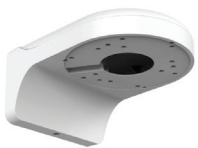
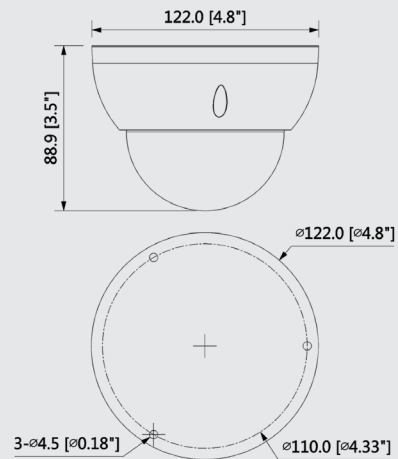




FEATURES

- Starlight, 120dB true WDR, 3DNR
- 5MP
- HD/SD output switchable
- Audio in interface
- 2.7-13.5mm motorized lens
- Max. IR length 30m, Smart IR
- Vandal Proof IP67, IK10, DC12V



Accessories:

FB200
wall mount bracket



Accessories:

DT-FA137
junction box



Accessories:

DT-MFA152
pole mount

MT-HDCD2713HS

TECHNICAL SPECIFICATIONS

| | | | | |
|-------------------------|--|---|------------|-------------|
| Camera | Image Sensor | 1/2.7" CMOS | | |
| | Effective Pixels | 2592(H)x1944(V), 5MP | | |
| | Scanning System | Progressive | | |
| | Electronic Shutter Speed | PAL: 1/4s~1/100,000s NTSC: 1/3s~1/100,000s | | |
| | Min. Illumination | 0.005Lux/F1.6, 30IRE, 0Lux IR on | | |
| | S/N Ratio | More than 65dB | | |
| | IR Distance | Up to 30m (98feet) | | |
| | IR On/Off Control | Auto / Manual | | |
| IR LEDs | 2 | | | |
| Lens | Lens Type | Motorized lens / Fixed iris | | |
| | Mount Type | Board-in | | |
| | Focal Length | 2.7-13.5mm | | |
| | Max Aperture | F1.6 | | |
| | Angle of View | H: 108.7°~28.7° | | |
| | Close Focus Distance | 200mm 7.87" | | |
| DORI Distance | Note: The DORI distance is a "general proximity" of distance which makes it easy to pinpoint the right camera for your needs. The DORI distance is calculated based on sensor specification and lab test result according to EN 62676-4 which defines the criteria for Detect, Observe, Recognize and Identify respectively. | | | |
| | | DORI Definition | Distance | |
| | | | Wide | Tele |
| | Detect | 25px/m (8px/ft) | 44m(144ft) | 153m(502ft) |
| | Observe | 63px/m (19px/ft) | 18m(59ft) | 61m(200ft) |
| | Recognize | 125px/m (38px/ft) | 9m(30ft) | 31m(102ft) |
| Identify | 250px/m (76px/ft) | 5m(16ft) | 15m(49ft) | |
| Pan/Tilt/Rotation Range | | Pan: 0° ~ 355° Tilt: 0° ~ 75° Rotation: 0° ~ 355° | | |
| Video | Resolution | 1080P (1920×1080) | | |
| | Frame Rate | 25/30fps@1080P, 25/30/50/60fps@720P | | |
| | Video Output | 1-channel BNC high definition video output / CVBS video output (DIP switch) | | |
| | Day/Night | Auto (ICR) / Manual | | |
| | OSD Menu | Multi-language | | |
| | BLC Mode | BLC / HLC / WDR | | |
| | WDR | 120dB | | |
| | Gain Control | AGC | | |
| | Noise Reduction | 2D/3D | | |
| | White Balance | Auto / Manual | | |
| Smart IR | Auto / Manual | | | |
| Certifications | CE (EN55032, EN55024, EN50130-4) FCC (CFR 47 FCC Part 15 subpartB, ANSI C63.4-2014) UL (UL60950-1+CAN/CSA C22.2 No.60950-1) | | | |
| | Interface | Audio Interface | 1 | |
| Electrical | Power Supply | 12V DC ±30% | | |
| | Power Consumption | Max. 4.7W (12V DC, IR on) | | |
| Environmental | Operating Conditions | -30°C ~ +60°C (-22°F ~ +140°F) / Less than 95% RH * Start up should be done at above -30°C (-22°F) | | |
| | Storage Conditions | -30°C ~ +60°C (-22°F ~ +140°F) / Less than 95% RH | | |
| | Ingress Protection | IP67 | | |
| Construction | Casing | Aluminium | | |
| | Dimensions | Φ122mm×88.9mm (Φ4.8"×3.5") | | |
| | Net Weight | 0.39kg (0.85lb) | | |
| | Gross Weight | 0.49kg (1.08lb) | | |