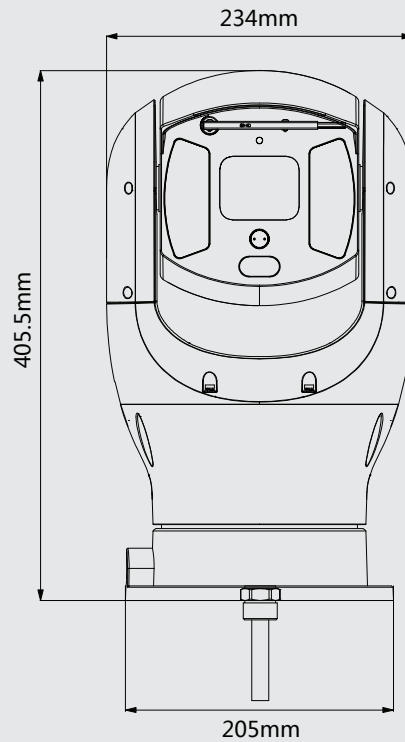




FEATURES

- 1/2.8" 2Megapixels STARVIS™ CMOS
- Powerful 45x optical zoom
- Starlight technology
- H.265 Encoding
- Max. 50/60fps@1080P
- IR distance up to 350m
- Anti-corrosion, IP68



MT-PTZ2045IST

TECHNICAL SPECIFICATIONS

Camera	Image Sensor	1/2.8" STARVIS™ CMOS	Video	Frame Rate	Main stream: 1080P/1.3M/720P(1~50/60fps) Sub stream1: D1/CIF (1 ~ 25/30fps) Sub stream2: 1080P/1.3M/720P/D1/CIF (1~25/30fps)	
	Effective Pixels	1920(H) x 1080(V), 2 Megapixels			Bit Rate Control	CBR/VBR
	Scanning System	Progressive			Bit Rate	H.265/H.264:448K~8192Kbps
	Electronic Shutter Speed	1/1s~1/30,000s			Day/Night	Auto(ICR) / Color / B/W
	Min. Illumination	Color: 0.005Lux@F1.2; B/W: 0.0005Lux@F1.2; 0Lux@F1.2 (IR on)			BLC Mode	BLC / HLC / WDR(120dB)
	S/N Ratio	More than 56dB			White Balance	Auto, ATW, Indoor, Outdoor, Manual
	IR Distance	Distance up to 350m (1148ft)			Gain Control	Auto/Manual
	IR On/Off Control	Auto / Manual			Noise Reduction	Ultra DNR (2D/3D)
	IR LEDs	8			Motion Detetion	Support
Smart Wiper	Support	Region of Interest	Support			
Lens	Focal Length	3.95mm~177.7mm	Electronic Image Stabilization (EIS)	Support		
	Max Aperture	F1.6~ F4.95	Defog	Support		
	Angle of View	H: 70.3° ~ 1.8°	Digital zoom	16x		
	Optical Zoom	45x	Flip	180°		
	Focus Control	Auto/Manual	Privacy Masking	Up to 24 areas		
	Close Focus Distance	100mm~ 1000mm	Audio	Compression	G.711a/G.711mu/PCM/G.726/ AAC/G722.1/G.729/MPEG2- Layer2	
DORI distance	Note: The DORI distance is a "general proximity" of distance which makes it easy to pinpoint the right camera for your needs. The DORI distance is calculated based on sensor specification and lab test result according to EN 62676-4 which defines the criteria for Detect, Observe, Recognize and Identify respectively.			Network	Ethernet	RJ-45 (10Base-T/100Base-TX)
	Detect	2345m(7694ft)			Protocol	IPv4/IPv6, HTTP, HTTPS, SSL, TCP/IP, UDP, UPnP, ICMP, IGMP, SNMP, RTSP, RTP, SMTP, NTP,DHCP, DNS,PPPOE,DDNS,FTP, IP Filter,QoS,Bonjour,802.1x
	Observe	938m(3077ft)			Interoperability	ONVIF Profile S&G, API
	Recognize	469m(1539ft)	Streaming Method		Unicast / Multicast	
Identify	234m(768ft)	Max. User Access	20 Users			
Lens	Pan/Tilt Range	Pan: 0° ~ 360° endless; Tilt: 0° ~ 360° endless, effective tilt angle: -55° ~ 223°	Edge Storage	NAS (Network Attached Storage),Local PC for instant recording, Micro SD card 256GB		
	Manual Control Speed	Pan: 0.1° ~120° /s; Tilt: 0.1° ~60° /s	Web Viewer	IE, Chrome, Firefox, Safari		
	Preset Speed	Pan: 120° /s; Tilt: 60° /s	Management Software	Smart PSS, DSS, DMSS		
	Presets	300	Smart Phone	iOS, Android		
	PTZ Mode	5 Pattern, 8 Tour, Auto Pan ,Auto Scan	Certifications	CE: EN55032/EN55024/EN50130-4 FCC: Part15 subpartB,ANSI C63.4- 2014		
	Speed Setup	Human-oriented focal Length/ speed adaptation		Interface	Video Interface	1 port(BNC, 1.0V[p-p], 75Ω)
	Power up Action	Auto restore to previous PTZ and lens status after power failure	RS485		1	
	Idle Motion	Activate Preset/ Scan/ Tour/ Pattern if there is no command in the specified period	Audio I/O		1/1	
	Protocol	DH-SD, Pelco-P/D (Auto recognition)	Alarm I/O	7/2		
Intelligence	Event Trigger	Motion detection, Video tampering, Scene changing, Network disconnection, IP address conflict, Illegal Access, Storage anomaly	Electrical	Power Supply	AC24V/5A(±25%), Hi-PoE	
	Auto Tracking	Support		Power Consumption	AC 24V/Hi-PoE: 25W, 40W (IR on)	
	IVS	Tripwire, Intrusion, Abandoned/Missing	Environmental	Operating Conditions	-40°C ~ 70°C (-40°F ~ +158°F) Less than 95% RH	
	Advanced Intelligent Functions	Face Detection, Heat Map		Ingress Protection	IP68	
Video	Compression	H.265+/H.265/H.264+/H.264	Construction	Casing	Metal	
	Streaming Capability	3 Streams		Dimensions	Φ234(mm) x 205(mm) x 405.5(mm)	
	Resolution	1080P(1920×1080)/1.3M(1280×960)/720P(1280× 720)/D1(704×576/704×480)/CIF(352×288/352×240)		Net Weight	9.8kg(21.61lb)	
		Gross Weight		15.5kg(34.17lb)		

Datasheet rev.A18.8