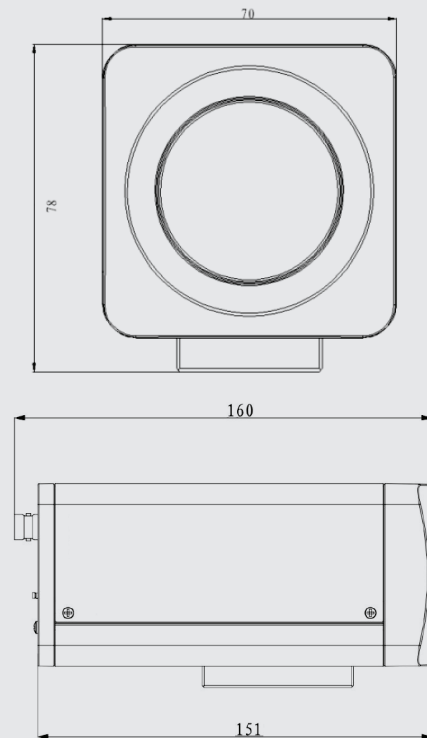




### FEATURES

- 32x optical zoom
- Starlight technology
- H.265 encoding
- Ai
- Face detection
- Smart capture
- Supports PoE



# MT-IPBX2030-4

## TECHNICAL SPECIFICATIONS

Camera	Image Sensor	1/2.8" CMOS	
	Pixels	4 MP	
	Max. Resolution	2560 (H) × 1440 (V)	
	ROM	256 MB	
	RAM	1 GB	
	Electronic Shutter Speed	1/3 s–1/100,000 s	
	Scanning System	Progressive	
	Min. Illumination	Color: 0.005 lux@F1.35 B/W: 0.0005 lux@F1.35 0 lux (IR light/laser on)	
Lens	Focal Length	4.8 mm–154 mm	
	Max Aperture	F1.5–F4.0	
	Field of View	H: 55.8°–2.3°; V: 31.9°–1.3°; D: 63.7°–2.7°	
	Optical zoom	32x	
	Focus Control	Auto; semi-auto; manual	
	Close Focus Distance	0.1 m–1.5 m (0.33 ft–4.92 ft)	
	Iris Control	Auto; semi-auto; manual	
	DORI Distance	Detect	2700 m (8,858.27 ft)
Observe		1066 m (3,497.38 ft)	
Recognize		540 m (1,771.65 ft)	
Identify		270 m (885.83 ft)	
PTZ	Preset	300	
	Power-off Memory	Yes	
	Idle Motion	Pan: 300° /s; Tilt: 200° /s	
	PTZ Protocol	MT-SD Pelco-P/D (auto recognition)	
Intelligence	Smart Capture	Support human, motor vehicle and non-motor vehicle image capture.	
	IVS (Perimeter Protection)	Tripwire and intrusion. Support alarm triggering by target types (human and vehicle). Support filtering false alarms caused by animals, rustling leaves, bright lights, etc.	
	Face Detection	Yes	
	SMD	Yes	
Video	Video Compression	H.265; Smart H.265+; Smart H.264+; H.264; MJPEG (Sub Stream1)	
	Streaming Capability	3 Streams	
	Resolution	4M (2560 × 1440); 1080p (1920 × 1080); 1.3M (1280 × 960); 720p (1280 × 720); D1 (704 × 576); CIF (352 × 288)	
	Video Frame Rate	Main stream: 4M/1080p/720p (1-25/30 fps)	
		Sub stream 1: D1/CIF (1-25/30 fps)	
		Sub stream 2: 720p (1-25/30 fps)	
	Bit Rate Control	CBR/VBR	
	Video Bit Rate	H.264: 2816 kbps–8192 kbps H.265: 1024 kbps–7936 kbps	
	Day/Night	Auto (ICR); Color; B; W	
BLC	Yes		
Video	WDR	Yes	
	HLC	Yes	
	White Balance	Auto; indoor; outdoor; tracking; manual; sodium lamp; natural; street lamp	
	Gain Control	Auto / Manual	
	Noise Reduction	2D NR; 3D NR	
	Motion Detetion	Yes	
	Region of Interest (RoI)	Yes	
	Image Stabilization	EIS	
	Defog	Digital	
	Digital Zoom	16x	
	Image Rotation	180°	
S/N Ratio	≥55 dB		
Audio	Compression	G.711a; G.711Mu; G.726; MPEG2-Layer2; G722.1	
Network	Network Port	RJ-45(10Base-T/100Base-TX)	
	Network Protocol	IPv4; IPv6; HTTP; HTTPS; 802.1x; QoS; FTP; SMTP; UPnP; SNMP; DNS; DDNS; NTP; RTSP; RTP; TCP; UDP; IGMP; ICMP; DHCP; PPPoE; ARP; SNMP v1/v2c/v3 (MIB-2); RTCP; RTMP	
	Interoperability	ONVIF (Profile S&G&T); CGI	
	Streaming Method	Unicast; Multicast	
	User/Host	20 (total bandwidth: 64 M)	
	Storage	FTP; Micro SD card (max. 512 GB); NAS	
	Browser	IE7 and later versions Chrome 42 and earlier versions, Firefox 52 and earlier versions, Safari	
	Management Software	Smart PSS; DSS; IVSS; NVR; ConfigTool; Smart Player;	
	Mobile Client	Android, IOS	
	Certification	CE:EN55032/EN55024/EN50130-4 FCC:Part15 subpartB, ANSI C63.4-2014	
Port	RS-485	Yes	
	Audio Input	1 channel (bare wire)	
	Audio Output	1 channel (bare wire)	
	Alarm I/O	2/1	
	Audio I/O	1/1	
	Alarm Linkage	Capture; preset; tour; pattern; SD card recording; triggering on-off value output; sending email	
Alarm Event	Motion/tampering detection; audio detection; network disconnection detection; IP conflict detection; memory card state detection; memory space detection		
Power	Power Supply	12 VDC, 1.5 A (±10%) PoE (802.3af)	
	Power Consumption	6W	
Environment	Operating Temperature	–25°C to+60°C (–13°F to+140 °F)	
	Operating Humidity	≤95% (RH)	
	Protection	TVS 6000 V lightning proof; surge protection; voltage transient protection	
Structure	Product Dimensions (L × W × H)	160.3mm × 70.0mm × 78.0mm (6.31" × 2.76" × 3.07")	
	Net Weight	0.8 kg (1.76 lb)	

Datasheet rev.A22.5